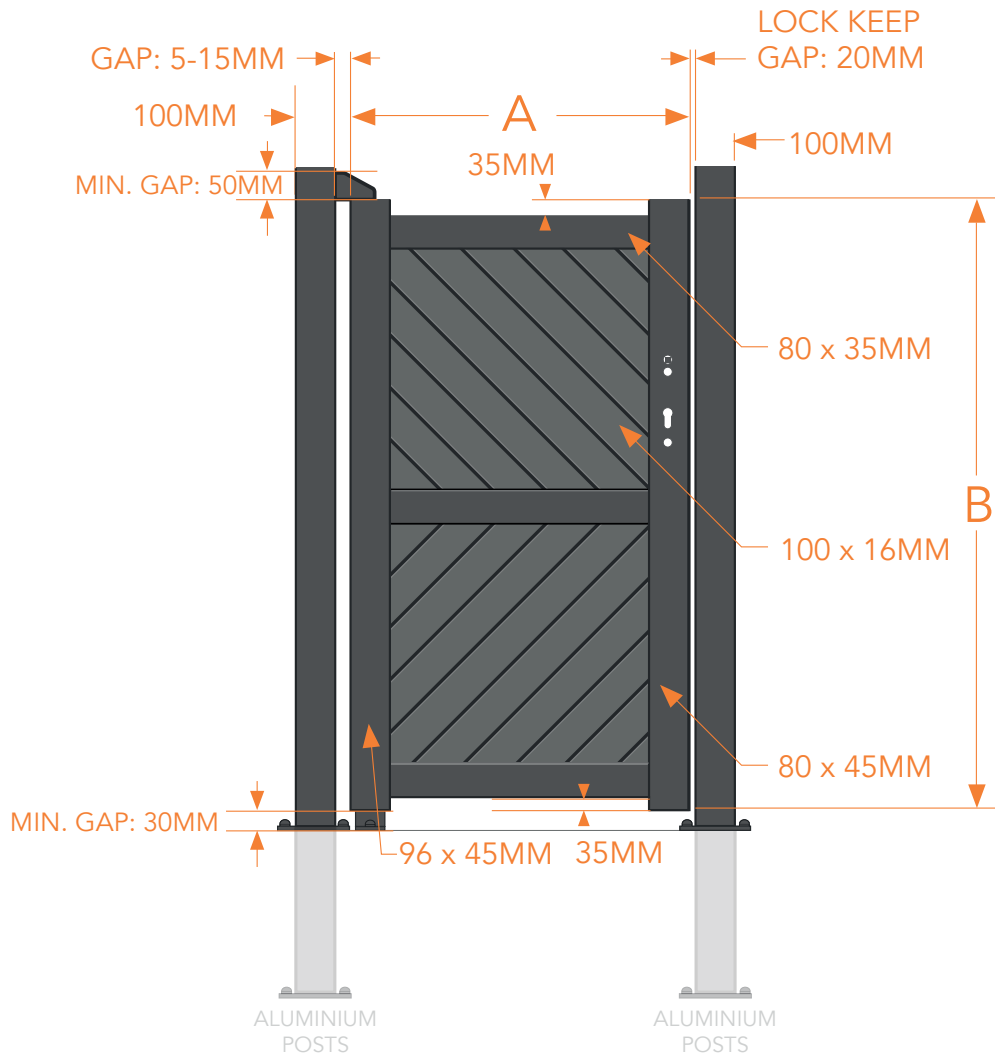


RMG003PG



A (mm)	B (mm)
900	1600
900	1800
900	2000
900	2200
1000	1600
1000	1800
1000	2000
1000	2200
1200	1600
1200	1800
1200	2000
1200	2200